

## WCH-2036EI (P)

### 2.0 Megapixel Weatherproof IR IP Camera

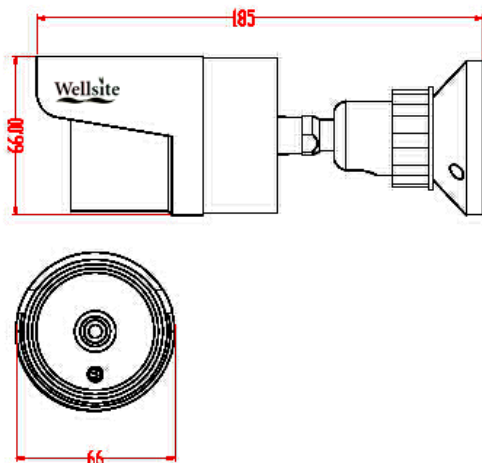
### Technical Specification



### Key Features

- ▶ Weatherproof Metal IR IP Camera
- ▶ 2.0MP (1920x1080) 1/2.7" F22 CMOS Sensor + Hisilicon Hi3516E V100 DSP Device
- ▶ Day/Night (ICR), WDR, AWB, AGC, 3DNR
- ▶ IR LEDs:  $\Phi 28\mu$  x 3pcs, IR Range: 20m.
- ▶ Support IR-Cut filter
- ▶ Built-in 3.6mm. ICR Lens (6mm is Optional)
- ▶ Support ONVIF protocol
- ▶ Built-in Web server enables the use of a standard Web browser for viewing and management
- ▶ Support network fault detection and alarm video
- ▶ Support iPhone, iPad and Android
- ▶ Support Dual-stream real time transmission
- ▶ Support anti-trembling
- ▶ Support H.264, H.265, H.265+, MJPEG
- ▶ Dimensions: 185 x 66 mm.
- ▶ Weight: 700g.

### Dimension



Model	WCH-2036EI (P)
<b>Camera</b>	
Image Device	1/2.7" 2.0MP CMOS Sensor
CMOS Sensor	F22
DSP Device	Hisilicon Hi3516E V100
Effective Pixels	1920(H) x 1080(V)
Electronic Shutter	Auto, 1/25s ~ 1/10,000s
Mini. Illumination	Color: 0.1Lux@F1.2, B/W: 0.01Lux@F1.2
Scanning System	Progressive Scanning
Synchronization	Internal Synchronization
S/N Ratio	More than 50dB
3DNR	Auto/Weak/Normal/Strong
BLC	On/Off
Iris Type	Auto/Manual
Wide Dynamic Range	Auto/Weak/Normal/Strong
Gain Control	Auto/6dB/12dB/18dB/24dB/30dB/36dB/42dB
White Balance	Auto/Manual/Incandescent/Warm/Fluorescent/Natural
Smart Night	Common vision/Infrared light/White light
IR-Cut Mode	Auto/Day/Night/Time
Image Mode	Standard/Faceless Exposure/License Plate
Privacy Mask	4 area
IR LEDs	$\Phi 28\mu$ x 3pcs, IR Range: 20m.
<b>Lens</b>	
Pixel	3.0 Megapixel
Image Format	1/2.7"
Focal Length	3.6mm ICR Lens (6mm is Optional)
Wavelength	850nm.
Aperture	F2.6
Mount	M12x0.5
Field Angle (DxHxV)	1/2.7" : 120° x 96° x 72°
	1/3" : 104° x 83.2° x 62.4°
Focus	Fixed
Zoom	Fixed
<b>Video</b>	
Video Mode	Main Stream/ Sub Stream
Video Compression	H.264, H.265, H.265+, MJPEG
Video Resolution	1920x1080/ 1280x960/ 1280x720
Frame Rate	Main 1080P@20fps, 960P@25/30fps, 720@25/30fps
	Sub D1@25/30fps, 360P@25/30fps, CIF@25/30fps,
Video Standard	PAL : 1 ~ 25fps, NTSC : 1 ~ 30fps
Video Bit Rate	32Kbps ~ 16Mbps, Supports CBR/VBR
I Frame Interval	1 ~ 200
Video Quality	Five levels under VBR, Free adjustment under CBR
<b>Audio</b>	
Audio Compression	N/A
<b>Network</b>	
Ethernet	RJ-45 (10/100Base-T)
Protocol	TCP/IP, UDP, RTSP, DNS, DDNS, DHCP, FTP, NTP, SMTP, UPNP, PPPoE, Email
Compatibility	ONVIF
Max. User Access	Simultaneous monitoring for up to 8 users
User Access Setting	Right Settings, Channel Settings, IP Address
Smart Phone	iPhone, iPad, Android Phone, Android Pad
Web Browser	IE, Google Chrome, Firefox, CMS remote control
<b>Auxiliary Interface</b>	
Storage	Network remote storage
Smart Alarm	Motion Detection, E-mail alarm
Motion Detection	Video Motion/ Video Lost
<b>General</b>	
PoE	PoE (IEEE 802.3af) Optional for (P) Series
Power Supply	DC 12V $\pm$ 10%/ PoE
Power Consumption	Max 5W
Working Temp.	-30°C ~ +60°C
Working Humidity	Less than 0%~ 90%RH (no condensation)
Ingress Protection	IP66
Dimensions	185mm x 66mm.
Weight	700g