

## ACTC-2036DF

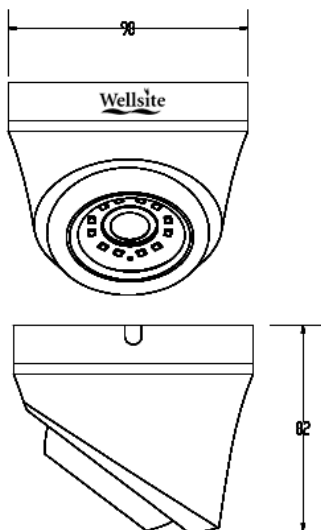
### 2.0 MP AHD/CVBS/CVI/TVI Dome Camera



### Key Features

- ▶ Vandalproof IR Dome 4 in 1 AHD/CVBS/CVI/TVI Multi Camera
- ▶ 2.0MP 1/2.9" F33 + V30E (FH8536E) CMOS Sensor
- ▶ IR LED:  $\Phi 14\mu \times 12$ pcs, IR range: 20m.
- ▶ Video Output 1080P@25/30fps.
- ▶ Day/Night (ICR), ATW, MWB, AGC, BLC, 3DNR
- ▶ Advanced H.264 High profile compression
- ▶ High speed Long Distance Real-Time Transmission
- ▶ Built-in 3.6mm. ICR Lens (6mm is Optional)
- ▶ Support OSD line 4 kinds of video output signal (AHD/ TVI/ CVI/ CVBS)
- ▶ Ingress Protection: IP66
- ▶ Al-Alloy case hidden cable design
- ▶ Dimensions: 98 x 82mm.
- ▶ Weight: 450g.

### Dimensions



### Technical Specification

Model	ACTC-2036DF
<b>Camera</b>	
Image Device	1/2.9" SONY 2.0 Megapixel CMOS Sensor
CMOS Sensor	F33
DSP Device	Fullhan V30E (FH8536E)
Effective Pixel	1920(H) x 1080(V), 1080P
Scanning System	Progressive Scan
Synchronization	Internal
Electronic Shutter	AUTO/1/50(1/60) ~ 1/50,000sec
Min. Illumination	0.1Lux@F1.2(AGC ON), 0Lux IR ON
S/N Ratio	More than 50dB
Video Output	AHD/CVI/TVI : 1080P, CVBS : 2000TVL
Transmission Distance	Over 500 meters via 75-3 coaxial cable
<b>Camera Features</b>	
Infrared LEDs	$\Phi 14\mu \times 12$ pcs IR LEDs
Max. IR LEDs Length	IR Range 20m.
Day/Night	EXT (Default)/ AUTO/ Color/ B/W
Day/Night Mode	Infrared/Internal AUTO/COLOR/B&W
Backlight Compensation	AUTO
White Balance	AUTO
Gain Control	AUTO
Noise Reduction	3DNR
WDR	D-WDR
Exposure	BRIGHTNESS/EXPOSURE MODE/GAIN
Video Setting	Contrast/Sharpness/COLOR GAIN/DNR/Format/DWDR
Motion Detection	N/A
Privacy Masking	N/A
<b>Lens</b>	
Pixel	3.0 Megapixel
Image Format	1/2.7"
Wavelength	850nm
Focal Length	3.6mm ICR Lens (6mm is Optional)
Max Aperture	F2.6
Focus	N/A
Zoom	N/A
Field Angle (DxHxV)	1/2.7" 120°x96°x72°
	1/3" 104°x83.2°x62.4°
	1/4" 74°x59.2°x44.4°
IRIS	Fied
Mount Type	M12
<b>Video</b>	
Compression	H.264 High profile
Resolution	1080P (1920x1080)
Video Frame Rate	2.0MP/1080P (1~25/30fps)
Bit Rate	H.264: 32K ~ 8192Kbps
TV System	PAL/NTSC (Customized)
Video Output	1 Vp-p/75 Ohms
<b>Auxiliary Interface</b>	
Audio	N/A
RS485	N/A
Alarm	N/A
OSD Menu	Yes
OSD Language	ENGLISH/CHN1/ESPAÑOL/FRANCAIS/CHN2/Pyccknn/ITALIANO/EAAHNIKA/Korean/Portugues
Video Signal Switch Bracket	OSD line 4 kinds of video signal
<b>General</b>	
Power Supply	DC 12V±10% 600mA
Power Consumption	Max 5W
Working Environment	-20°C ~ +50°C / Less than RH95% (no condensation)
Ingress Protection	IP66
Vandal Resistance	N/A
Dimensions	98 x 82mm.
Weight	450g.