

## WTZ-6120AT/WTZ-6130AT

20X/30X Optical Zoom IR IP High Speed Dome

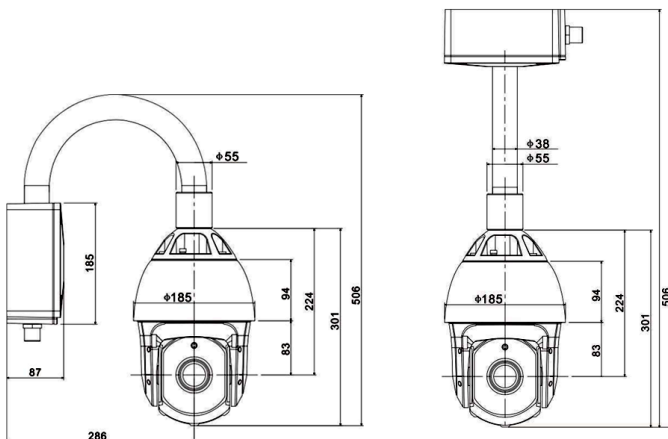
Technical Specification



### Key Features

- ▶ 1/2.8" SONY 2.13MP Exmor R CMOS sensor.
- ▶ 20X/ 30X Optical Zoom, 32X Digital Zoom.
- ▶ Shutter Speed 1/30(25) sec - 1/300,000 sec.
- ▶ Rotation Range: Horizontal 0° ~ 360° Unlimited Rotation, Vertical 0° ~ 130°.
- ▶ Rotation Speed: Horizontal 300°/sec, Vertical 300°/sec
- ▶ Support AWC, ATW1, ATW2, AGC, Day/Night.
- ▶ Support Triple-stream.
- ▶ Support IPv4/IPv6, RTSP/RTP/RTCP, TCP/UDP, HTTP,HTTPS, DHCP, DNS, FTP, DDNS, PPPoE, NTP, SMTP, Bonjour, Pelco D/P.
- ▶ Support Max. 128Gb Mini SD Card.
- ▶ Support ONVIF 2.4.1
- ▶ Software Development Kit (SDK).
- ▶ Advanced H.265, H.264 (Baseline, Main Profile, High Profile) and MJPEG Compression.
- ▶ Dimension: Φ185mm x 288.5mm (Main unit without mount bracket)
- ▶ Weight: 5.2Kg (with wall mounting bracket)
- ▶ IP 66 all-environments protection

### Dimension



Model	WTZ-6120AT	WTZ-6130AT
<b>Camera</b>		
<b>Image Sensor</b>	1/2.8" SONY 2.13MP Exmor R CMOS sensor	
<b>Image Resolution</b>	1080P (1920x1080)	
<b>Min. Illumination</b>	Color:0.2Lux, BW:0.02Lux; Color DSS:0.002Lux, BW DSS:0.001Lux	
<b>White Balance</b>	Auto/Indoor/Outdoor/Manual	
<b>Shutter Speed</b>	1/30(25) sec - 1/300,000 sec	
<b>Wide Dynamic Range</b>	Auto/Off	
<b>HLC/BLC/Defog</b>	Auto/Off	
<b>DSS</b>	Auto/Off	
<b>Mirror</b>	None/Horizontal/Vertical/Horizontal & Vertical	
<b>AGC/Iris</b>	Auto	
<b>Day/Night</b>	Auto/Day/Night	
<b>Privacy Mask</b>	Support 8 area	
<b>IR Function</b>		
<b>Infrared Mode</b>	Auto/Manual/Semi-Auto	
<b>Max. IR Distance</b>	150m/IR OSRAM lamp for Near: 2; Middle: 2; Far: 3	
<b>Lamp Power</b>	Each max. 2.3W/ 1A	
<b>Lens</b>		
<b>Focal Length</b>	f=4.7(Wide)- 94(Tele)	f=4.3(Wide) -129(Tele)
<b>Optical Zoom</b>	20X	30X
<b>Digital Zoom</b>	32x Digital Zoom	
<b>Iris</b>	F=1.6(Wide)-3.5(Tele)	F=1.6(Wide)-5.0(Tele)
<b>Focus</b>	Manual/Auto/Semi-Auto/One Push	
<b>Pan and Tilt</b>		
<b>Panning Range</b>	0° ~ 360° (endless)	
<b>Panning Speed</b>	Max.300°/sec (proportional to zoom ratio)	
<b>Tilting Range</b>	0° ~ 130° (upward-level-downward)	
<b>Tilting Speed</b>	Max.300°/sec (proportional to zoom ratio)	
<b>Number of Preset</b>	Up to 255 preset (support custom preset function)	
<b>Swing</b>	8 Swing (Auto)	
<b>Pattern</b>	8 Pattern (ten minutes)	
<b>Group &amp; Schedule</b>	8 Group, 16 Schedule	
<b>Other PTZ Function</b>	Auto Flip, Parking Action, Power up Action	
<b>PTZ Protocol</b>	Pelco-D, Pelco-P	
<b>Video</b>		
<b>Codec Platform</b>	High-performance Hi 3516D	
<b>Video Compression</b>	H.265, H.264 (Baseline, Main & High Profile), MJPEG	
<b>Video Stream</b>	Triple-stream: 1920x1080; 640x360; 352x288	
<b>Video Frame Rate</b>	Max.1080p@1~25/30fps	
<b>Video Bit Rate</b>	CBR (200~12000kbps), VBR, LBR	
<b>Video Out</b>	Service analog Video Out	
<b>Audio</b>		
<b>Audio Compression</b>	G.711a/ G.711u	
<b>Audio In/Out</b>	1CH/ 1CH	
<b>Network</b>		
<b>Ethernet</b>	RJ-45 (10/100Base-T)	
<b>Protocol</b>	IPv4/IPv6, RTSP/RTP/RTCP, TCP/UDP, HTTP, HTTPS, DHCP, DNS, FTP, DDNS, PPPoE, SMTP, NTP	
<b>Compatibility</b>	ONVIF 2.4.1	
<b>Alarm</b>		
<b>Alarm Trigger Event</b>	Motion Detection, Alarm in, Schedule	
<b>Alarm In/Out</b>	8CH/4CH	
<b>General</b>		
<b>SD Card</b>	Support up to 128G mini SD Card	
<b>Power Supply</b>	DC12V /AC 24V	
<b>Power Consumption</b>	AC24V: 48W Max., DC12V: 23W Max.	
<b>PoE</b>	IEEE802.3af/IEEE802.3at compliant	
<b>Working Temp.</b>	-10°C ~ +50°C	
<b>Operating Humidity</b>	90% (Non-condensing)	Fan: Yes
<b>Protection Grade</b>	IP66, TVS 6000V protection, anti-surge protection in accordance with GB/T 17626.5.4 standard	
<b>Dimension</b>	Main unit without mount bracket: Φ185mm x 288.5mm	
<b>Net Weight</b>	2.8Kg (Only PTZ Dome without mount bracket)	
<b>Gross Weight</b>	5.2Kg (with wall mounting bracket)	