

ACTC-2028VT

2.0MP 1080P AHD/TVI/CVI/CVBS IR Camera

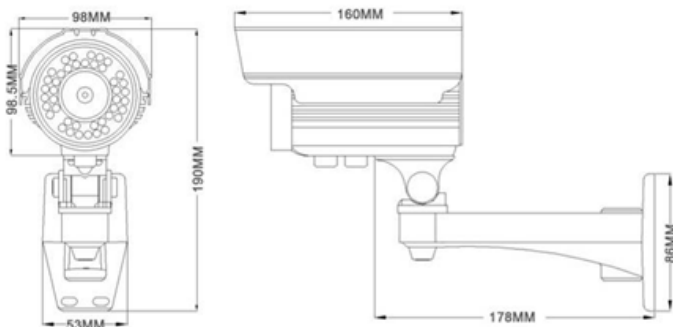
Technical Specification



Key Features

- ▶ Varifocal Weatherproof AHD/TVI/CVI/CVBS IR Camera.
- ▶ 2.0MP 1/2.9" SONY CMOS Sensor.
- ▶ IR LED: ϕ 5X72PCS.
- ▶ IR range: 50M.
- ▶ Video Output 1080P, Max 30fps@1920x1080.
- ▶ Day/Night (ICR), AWB, AGC, BLC, 3D-NR.
- ▶ High speed Long Distance Real-Time Transmission.
- ▶ Board Lens 2.8~12mm Manual Zoom ICR Lens.
- ▶ 3-Axis Bracket, Hidden Cable Design.
- ▶ Support OSD Language: EN/CN/DE/FR/IT/ES/PL/RU/PT/NL/TR.
- ▶ Ingress Protection: IP66.
- ▶ Advanced H.264 High profile compression.
- ▶ Dimensions: 160 x 98 x 98.5mm.
- ▶ Weight: 1500g.

Dimension



| Model | ACTC-2028VT |
|----------------------------|--|
| Camera | |
| Image Device | 1/2.9" SONY 2.0 Megapixel CMOS Sensor |
| CMOS Sensor | IMX323 |
| Effective Pixel | 1920(H)x1080(V), 1080P |
| Scanning System | Progressive Scan |
| Synchronization | Internal |
| Electronic Shutter | AUTO/1/50(1/60)-1/50,000sec |
| Min. Illumination | 0.01Lux@F1.2(AGC ON), 0Lux IR ON |
| S/N Ratio | More than 41dB |
| Video Output | CH BNC AHD High Definition Video Output/CVBS Stand |
| Camera Features | |
| Infrared LED | ϕ 5x72pcs |
| Max. IR LEDs Length | IR Range 50M |
| Day/Night | EXT/B/W/Color/Auto |
| Backlight Compensation | OFF/BLC/HSBLC |
| White Balance | ATW/AWC-SET/INDOOR/OUTDOOR/MANUAL/AWB |
| Gain Control | Auto/Manual |
| Noise Reduction | 3D NR |
| Sense Up | ON/OFF |
| DWDR | ON/OFF |
| Camera Title | ON/OFF |
| Motion Detection | ON/OFF |
| Privacy Masking | ON/OFF |
| DSP Device | NVP2441 |
| Ultra Defog | ON/OFF |
| Lens | |
| Pixel | 3.0Megapixel |
| Image Format | 1/2.7" |
| Wavelength | 850nm |
| Focal Length | 2.8 ~ 12mm Manual Zoom ICR Lens |
| Max Aperture | F1.4 |
| Focus | Manual |
| Zoom | Manual |
| Field Angle (DxHxV) | 1/2.7" 108.8° ~ 31.2° |
| Iris | Auto Iris DC+IR CUT |
| Mount Type | M12 x 0.5/D14 |
| M.O.D. | 0.3m |
| Back Focal Length | 6mm |
| Video | |
| Compression | H.264/MJPEG |
| Resolution | 1080P(1920x1080) |
| Video Frame Rate | 2MP/1080P(1~25/30fps) |
| Bit Rate | H.264: 32K ~ 8192Kbps |
| TV System | PAL/NTSC |
| Video Output | 1 Vp-p/75 Ohms |
| Auxiliary Interface | |
| Audio | N/A |
| Memory Slot | N/A |
| RS485 | N/A |
| Alarm | N/A |
| PIR Sensor Range | N/A |
| Bracket | 3-Axis Bracket |
| OSD Language | EN/CN/DE/FR/IT/ES/PL/RU/PT/NL/TR |
| General | |
| Power Supply | DC 12V \pm 10% |
| Power Consumption | Max 5W |
| Working Environment | -20°C ~ +50°C / Less than RH95% (no condensation) |
| Ingress Protection | IP66 |
| Vandal Resistance | N/A |
| Dimensions | 160 x 98 x 98.5mm |
| Weight | 1500g |