

WFE-3030FC

360° Panorama Wi-Fi VR Fish Eye Camera

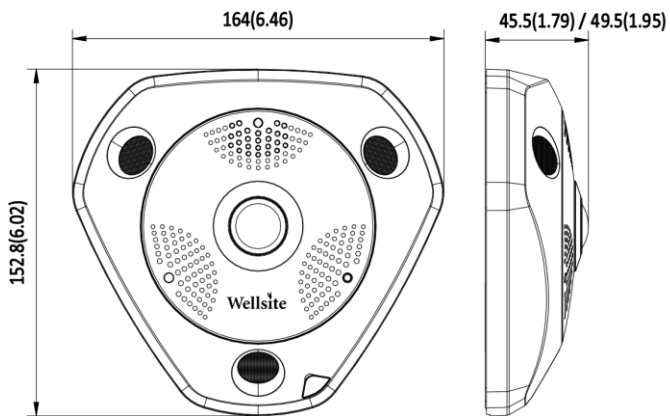
Technical Specification



Key Features

- ▶ 360° Panorama Wi-Fi VR Camera.
- ▶ 1/3" 3.0 Megapixel Progressive Scan CMOS.
- ▶ H.264/ MJPEG Video compression.
- ▶ Max. 30fps@3.0MP (2048x1536).
- ▶ Support Dual Stream.
- ▶ Lens: 1.19mm Fish Eye Lens.
- ▶ 3pcs Array IR LED, IR Distance 15m.
- ▶ Support built-in microphone and speaker.
- ▶ Up to 15 live view display modes.
- ▶ Support 10M/100M/1000M Ethernet port.
- ▶ Support SD Card local recording max 128GB.
- ▶ Support Motion Detection.
- ▶ Support 10 Users at the same time.
- ▶ Support mobile phone monitoring iPhone, Android

Dimensions



Unit: mm(inch)

Model	WFE-3030FC	
Camera		
Image Sensor	3.0 Megapixels 1/3" Progressive Scan CMOS Sensor	
Main Chipset	Hisilicon HI3516C Chipset	
Operation System	Embedded Linux	
Electronic Shutter	1/3s to 1/100,000s	
Slow Shutter	Support	
Min. Illumination	0.1Lux@F1.2 (AGC ON), 0.28Lux@F2.0 (AGC ON), 0Lux with (IR ON)	
S/N Ratio	More than 50dB	
Camera Features		
Day/Night Mode	IR-Cut filter	
White Balance	Auto/Manual	
Gain Control	Auto/Manual	
WDR Dynamic Range	WDR (120dB)	
Noise Reduction	3D-DNR	
Max. IR Distance	15m, 3pcs Array IR LEDs	
Image Enhancement	BLC/ 3D-DNR	
Image Setting	Saturation, Brightness, Contrast, Sharpness adjustable by client software or web browser	
Region of Interest	Support 3 fixed region for each stream	
Lens		
Focal Length	1.19 mm, F2.0 Fish Eye Lens	
Angle of View	180° (wall mount), 360° (ceiling and table mount)	
Lens Mount	M12	
Video		
Video Compression	H.264/ MJPEG	
H.264 Encode Type	H.264 Baseline/H.264 Main Profile/H.264 High Profile	
H.264+ Encode Type	Support only when the display mode is Fisheye View	
Video Bit rate	256Kbps ~ 16Mbps	
Image Resolution	2048x1536	
Frame Rate	Main Stream	50Hz: 25fps (2048x1536, 1536x1536) 60Hz: 30fps (2048x1536, 1536x1536)
	Sub Stream	50Hz: 25fps (720x720, 704x576) 60Hz: 60fps (720x720, 704x480)
Decoding Mode	Support hardware and software decoding	
Audio		
Audio Interface	Input	1 built-in microphone by default, -42dB
	Output	1 built-in speaker by default, Support echo cancellation
Audio compression	G711A/ G.722.1/ G.726/ MP2L2/ PCM	
Audio Bit rate	64Kbps (G.711)/ 16Kbps (G.722.1, G.726)	
Audio Noise Filtering	Support	
Audio Sampling Rate	Max. 48kHz	
Network		
Ethernet Interface	1 RJ45 10M/100M/1000M Ethernet port	
Wireless Network	Wi-Fi 802.11 b/g/n	
Network Protocols	TCP/IP, UDP, ICMP, HTTP, HTTPS, FTP, DHCP, DNS, DDNS, RTP, RTSP, RTCP, PPPoE, NTP, UPnP, SMTP, SNMP, IGMP, 802.1X, QoS, IPv6, Bonjour	
General Function	One-key reset, Anti-flicker, Heartbeat, Password protection, Privacy mask, Watermark, IP address filter	
Compatibility	ONVIF (Profile S, Profile G), PSIA, CGI, ISAP	
Alarm		
Alarm Interface	1 Input, 1 Output (up to DC24V 1A or AC110V 500mA)	
Alarm Trigger	Motion detection, Video tampering alarm, Network disconnected, IP address conflicted, illegal login, HDD full, HDD error	
Auxiliary Interface		
On-board Storage	Built-in Micro SD/ SDHC/ SDXC slot, up to 128 GB	
Reset Button	Yes	
General		
Power Supply	DC12V 1000mA, PoE (IEEE802.af)	
Power Consumption	<9.3W (Max.), <12.18W (Max.) for PoE	
Working Environment	-10°C~+50°C Humidity less than95% (Non-condensing)	
Dimensions	164 x 152.8 x 45.5mm. (6.46" x 6.02" x 1.79")	
Weight	1400g. (3.09lbs.)	