

## WNL-1360BF / WNL-2460BF (P)

### 1.3/2.0 Megapixel Network Bullet IR Camera

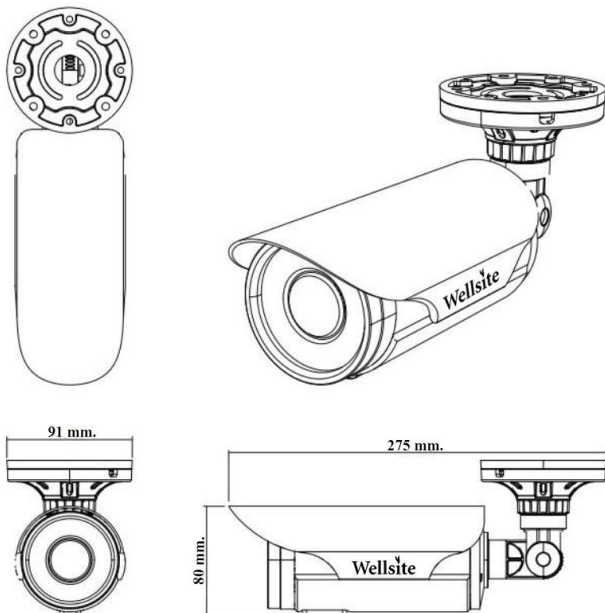
### Technical Specification



#### Key Features

- ▶ 1.3MP 1/3" SONY Exmor CMOS Sensor.
- ▶ 2.0MP 1/3" SONY Exmor CMOS Sensor.
- ▶ IR LED:  $\Phi 5 \times 72$  pcs.
- ▶ IR range: 60Meter.
- ▶ 2.8 ~ 12mm Manual Zoom & Focus Lens.
- ▶ Support browsers: Microsoft Internet Explorer 6.0 or higher version.
- ▶ Support iPhone, iPad, Android, Windows Phone.
- ▶ Support single, Dual streams.
- ▶ Support several servers, IP address, DDNS, FTP and SMTP.
- ▶ Advanced H.264 High profile compression.
- ▶ Dimensions: 275(L) x 91(W) x 80(H)mm.
- ▶ Weight: 1.85 Kg.

#### Dimension (mm.)



Model	WNL-1340BF (P)	WNL-2440BF (P)
<b>Camera</b>		
<b>Image Sensor</b>	1.3MP 1/3" SONY Exmor CMOS Sensor	2.0MP 1/3" SONY Exmor CMOS Sensor
<b>Core processor</b>	ARM9 Architecture Processor	
<b>Effective Pixels</b>	1280(H) $\times$ 960(V)	1920(H) $\times$ 1080(V)
<b>Operation System</b>	Embedded Linux	
<b>Electronic Shutter</b>	Auto, 1/50s ~ 1/10,000s	
<b>Min. Illumination</b>	0.01Lux @(F1.2 AGC ON), 0Lux with IR ON	
<b>S/N Ratio</b>	More than 50dB	
<b>Video Output</b>	Network	
<b>Camera Features</b>		
<b>Infrared LED</b>	$\Phi 5 \times 72$ pcs IR LEDs	
<b>Max. IR LEDs Length</b>	60 Meter	
<b>Day/Night</b>	IR Cut Filter with auto switch, IR Sensor	
<b>Backlight</b>	BLC/ WDR (120dB)	
<b>White Balance</b>	Auto/Manual	
<b>Gain Control</b>	Auto/Manual	
<b>Noise Reduction</b>	3D-NR	
<b>Privacy Masking</b>	Up to 4 areas	
<b>Ultra Defog</b>	Support	
<b>Image Configure</b>	Saturation, Brightness, Contrast, Sharpness, Mirror, 3D NR, White Balance, BLC, FLK ( Flicker Control )	
<b>Lens</b>		
<b>Focal Length</b>	2.8 ~ 12mm. Verifocal lens	
<b>Max Aperture</b>	F1.4	
<b>Focus Control</b>	Manual	
<b>Angle of View</b>	H: 85.6 $^{\circ}$ (Wide) ~ 28.6 $^{\circ}$ (Tele)	
<b>Lens Type</b>	Manual	
<b>Mount Type</b>	Board-in Type	
<b>Video</b>		
<b>Compression</b>	H.264 Base line/ Main Profile/ High profile/ MJPEG	
<b>Resolution</b>	960P(1280 $\times$ 960)/ 720P(1280 $\times$ 720)/ D1(704 $\times$ 576)	1080P(1920 $\times$ 1080)/ 720P(1280 $\times$ 720)/ D1(704 $\times$ 576)
<b>Frame Rate</b>	<b>Main Stream</b>	1.3M/960P (1~25/30fps)/ 1.0M/720P (1~25/30fps)
	<b>Extra Stream</b>	D1/CIF(1~25/30fps)
<b>Bit Rate</b>	32Kbps ~ 8Mbps Supports CBR/ VBR	
<b>ROI</b>	Up to 4 areas	
<b>Event Action</b>	Video capture storage to back-end equipment, mobile phoneme-mail notification, channel amplifier, map display, go to the preset position	
<b>Audio</b>		
<b>Compression</b>	G.711a/ G.711u	
<b>Interface</b>	1/1 channel In/Out	
<b>Network</b>		
<b>Ethernet</b>	1 RJ45 Ethernet interface, 10/100M adaptation	
<b>Protocol</b>	IPv4/IPv6, HTTP, HTTPS, SSL, TCP/IP, UDP, UPnP, ICMP, IGMP, SNMP, RTSP, RTP, SMTP, NTP, DHCP, DNS, PPPOE, DDNS, FTP, IP Filter, QoS, Bonjour	
<b>Compatibility</b>	ONVIF, PSIA, CGI	
<b>Max. User Access</b>	20 users	
<b>Smart Phone</b>	iPhone, iPad, Android, Windows Phone	
<b>Auxiliary Interface</b>		
<b>Memory Slot</b>	Micro SD, Max 64GB	
<b>Alarm</b>	1/1 channel In/Out	
<b>Motion Detection</b>	Support	
<b>General</b>		
<b>Power Supply</b>	DC12V, 1000mA, PoE (802.3af) Optional for (P) Series	
<b>Power Consumption</b>	<12W (IR on: +2W)	
<b>Working Environment</b>	-10 $^{\circ}$ C ~ +50 $^{\circ}$ C/ -20 $^{\circ}$ C ~ +60 $^{\circ}$ C Less than 95%RH (no condensation)	
<b>Ingress Protection</b>	IP66 Protection	
<b>Vandal Resistance</b>	IK10	
<b>Dimensions</b>	275(L) x 91(W) x 80(H)mm.	
<b>Weight</b>	1.85 Kg	